

MUSIC CABINET LOUDSPEAKERS



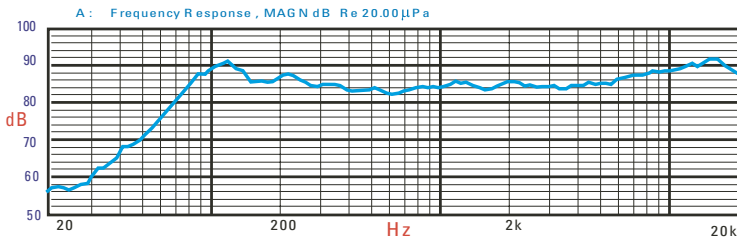
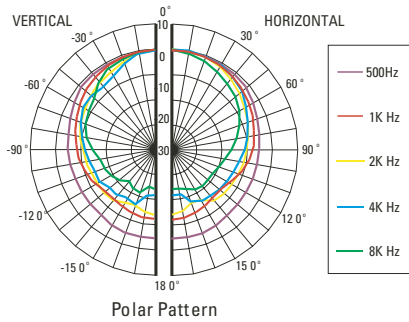
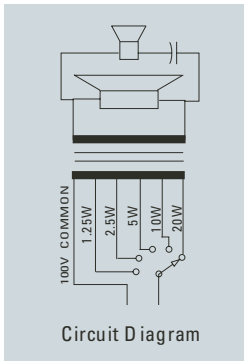
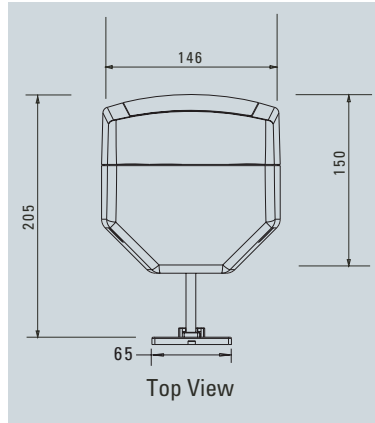
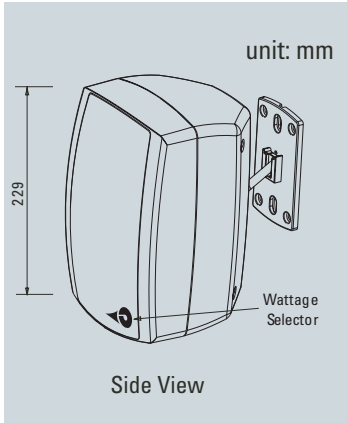
• JD20

• JD20/T

Technical Specifications

Rated power, Watts	20
Tappings 100 volt line, Watts	20/10/5/2.5/1.25
Transformer Impedance, Ohms, 100V	1.67k/3.33k/6.66k/13.3k/39.9k
Tappings 70.7 volt line, Watts	10/5/1.25/0.75
Driver impedance, Ohms	8 (JD20: 16)
Effective frequency range, Hz (BS6840)	63 – 20,000
S.P.L. @ 1m, 1 watt, dB, Test Signal Bandwidth 100Hz – 10 kHz	81
S.P.L. @ Full power, Octave Bandwidth, dB	97
Acoustic Power (dB-PWL@1 Watt) 1k/2kHz, dB	78 / 75
Dispersion at 1k/2k Hz, Degrees	160 / 120
Directivity Axial Q factor, 1k/2kHz	3.50 / 7.1
Dimensions, front & depth, mm	146 x 229 x 150
Net weight, Kgs	1.50
Colour/Finish	White or Black
Material	ABS moulded housing
Mounting	Die-cast Aluminium Swivel Bracket

JD20 JD20/T



Penton UK Ltd

Unit 2, Teville Industrials, Dominion Way, Worthing, West Sussex BN14 8NW England

Tel: +44 (0)1903 215315 Fax: +44 (0)1903 215415

E-Mail: sales@pentonuk.co.uk Website: www.penton.org