

ROUND METAL CEILING LOUDSPEAKERS



• RCS4/T

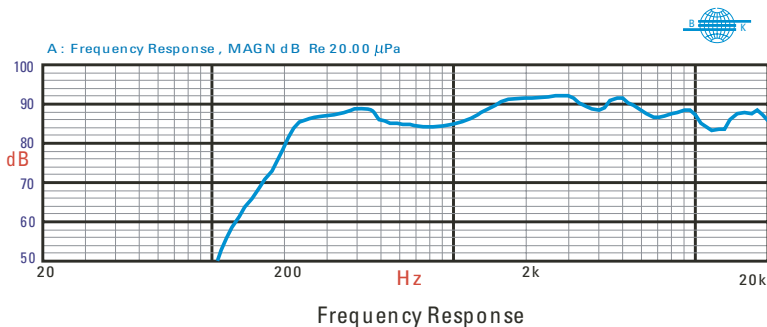
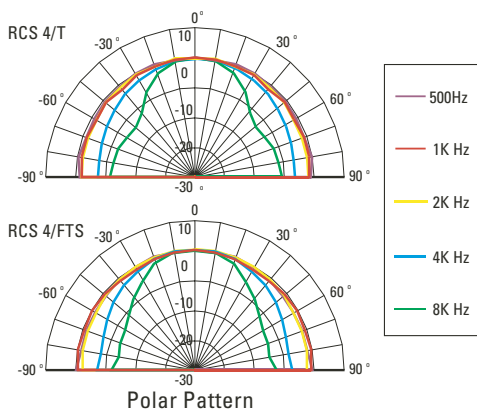
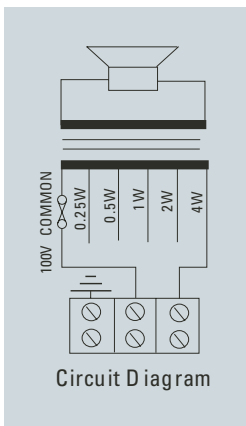
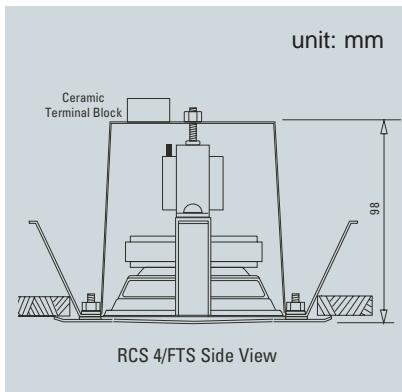
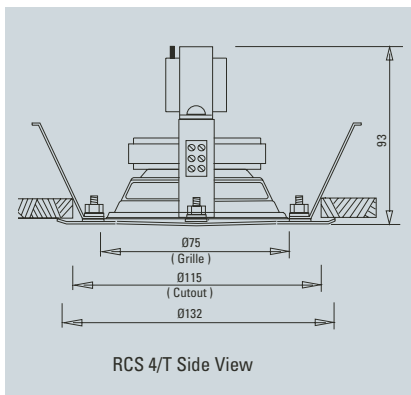
• RCS4/FTS

Technical Specifications

Rated power, Watts	4
Tappings 100 volt line, Watts	4 / 2 / 1 / 0.5 / 0.25
Transformer Impedance, Ohms, 100V	2.5k/5k/10k/20k/40k
Tappings 70.7 volt line, Watts	2 / 1 / 0.5 / 0.25 / 0.13
Driver impedance, Ohms	8
Effective frequency range, Hz	220 – 16,500
S.P.L. @ 1m, 1 watt, dB, Test Signal Bandwidth 100Hz-10 kHz	83
S.P.L. @ Full power Octave Bandwidth, dB	89
Acoustic Power (dB-PWL@1 watt) 1k/2k Hz	81 / 84
Dispersion at 1k/2k Hz, Degrees	RCS4/T: 140/180, RCS4/FTS: 140/180
Directivity Axial Q factor, 1k/2k Hz	RCS4/T: 1.90/2.20, RCS4/FTS: 1.70/2.20
Dimensions, diameter, mm	RCS4/T: Ø132, RCS4/FTS: Ø132
Net weight, Kgs	RCS4/T: 0.72, RCS4/FTS: 0.92
Colour/Finish	White RAL9016
Material	Steel
Mounting	Fixing Springs x 4 (stainless steel)
Cut-out, mm	RCS4/T: Ø115 RCS4/FTS: Ø115

RCS4/FTS is BS5839 Part 8 voice alarm compliant

RCS4/T RCS4/FTS



Penton UK Ltd
 Unit 2, Teville Industrials, Dominion Way, Worthing, West Sussex BN14 8NW England
 Tel:+44 (0)1903 215315 Fax:+44 (0)1903 215415
 E-Mail:sales@pentonuk.co.uk Website:www.penton.org