

ROUND CO-AXIAL METAL CEILING LOUDSPEAKERS

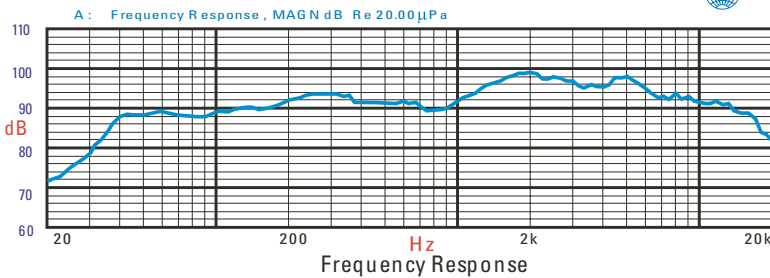
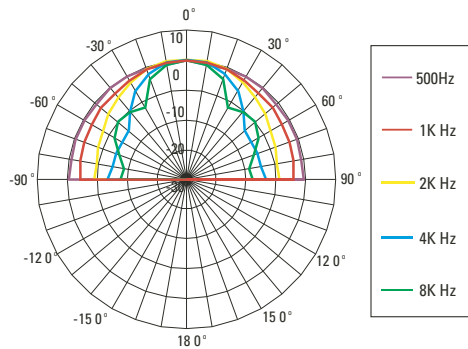
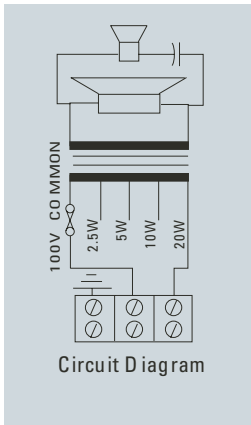
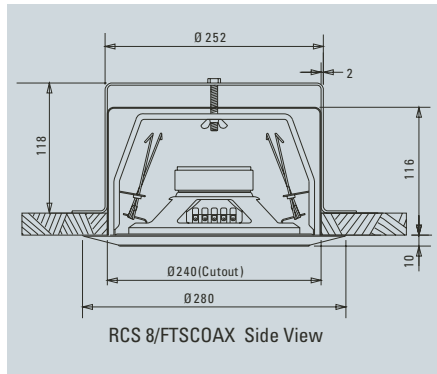
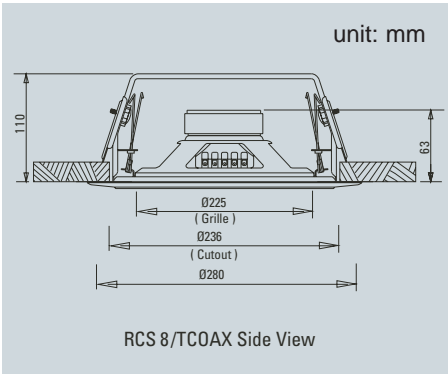


• RCS8/TCOAX • RCS8/FTSCOAX Technical Specifications

Rated power, Watts	20
Tappings 100 volt line, Watts	20/10/5/2.5
Transformer Impedance, Ohms, 100V	0.5k/1k/2k/4k
Tappings 70.7 volt line, Watts	10/5/2.5/1.25
Driver impedance, Ohms	8
Effective frequency range, Hz (BS6840)	
S.P.L. @ 1m, 1 watt, dB, Test Signal Bandwidth 100Hz-10 kHz	94
S.P.L. @ Full power Octave Bandwidth, dB	107
Acoustic Power (dB-PWL@1 watt) 1 k/2kHz, dB	88 / 89
Dispersion at 1k/2k Hz, Degrees	RCS8/TCOAX: 176/120 RCS8/FTSCOAX: 160/90
Directivity Axial Q factor, 1k/2k Hz	RCS8/TCOAX: 3.0 /6.5 RCS8/FTSCOAX: 5.5/8.6
Dimensions, diameter, mm	Ø280
Net weight, Kgs	RCS8/TCOAX: 1.85 RCS8/FTSCOAX: 2.93
Colour/Finish	White RAL9016
Material	Steel
Mounting	Torsion springs
Cut-out, mm	RCS8/TCOAX: Ø236 RCS8/FTSCOAX: Ø240

RCS8/FTSCOAX is BS5839 Part 8 voice alarm compliant

RCS8/TCOAX RCS8/FTSCOAX



Penton UK Ltd

Unit 2, Teville Industrials, Dominion Way, Worthing, West Sussex BN14 8NW England

Tel:+44 (0)1903 215315 Fax:+44 (0)1903 215415

E-Mail:sales@pentonuk.co.uk Website:www.penton.org